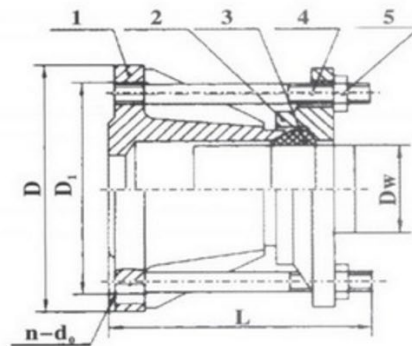
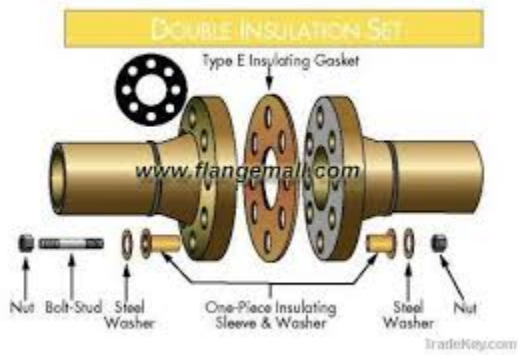


Which fastener would likely have better fatigue life: short bolts, longer bolts, or it would make no difference?

2. Construction of pipe flange-sleeve telescopic joint





Poles are also often mounted with tension fasteners:

